

## C5AD

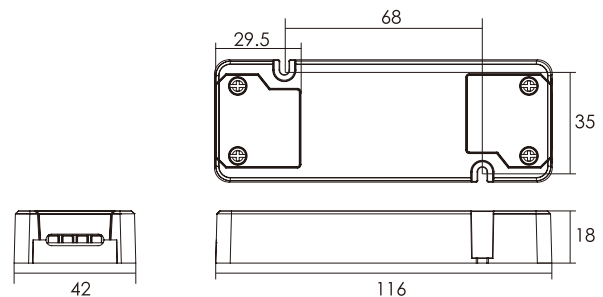
# DALI CV Dimming LED Controller

DALI 恒压调光控制器

## Features:

- Compatible with DALI control system or DALI dimmer
- 0.1 % - 100 % dimming range
- 1kHz PWM dimming frequency
- Stand-by power < 0.3 W
- Suitable for Class I, II or SELV luminaire and Independent use
- Duplicate terminals for parallel connection
- Double isolation between input & output terminal

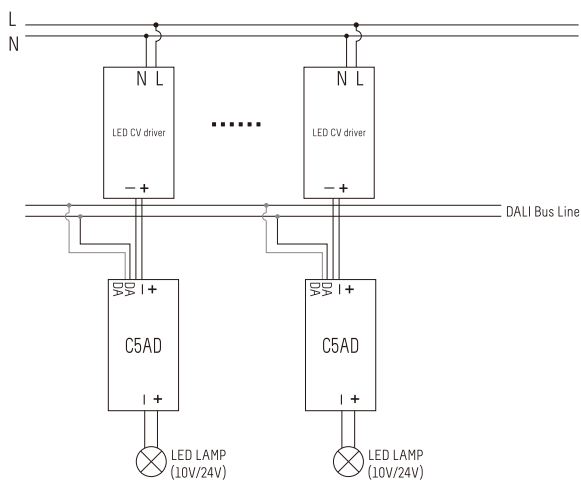
- 兼容 DALI 控制系统或是 DALI调光
- 0.1% - 100%调光范围
- 1kHz PWM 调光频率
- 待机功耗小于0.3W
- 适用于I类、II或安全电压灯具和独立使用
- 可以并行连接到终端
- 从输入端子到输出端子是双层绝缘



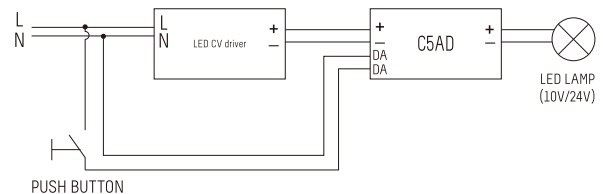
## Parameters:

Model No. 型号	Input voltage 额定电压 (V)	Max. output current 最大输出电流 (A)	Output voltage 输出电压 (V)	Ambient temperature 环境温度 t <sub>a</sub> (°C)	Max. casing temperature 最大外壳温度 t <sub>c</sub> (°C)	Isolation 隔离	Dimensions LxWxH 尺寸 (mm)	Weight 重量 (g)
C5AD	10~24VDC	5	10~24VDC	-20...+50	60	SELV	116x42x18	51

Wiring for DALI system control



Wiring for push-dim control



Wiring for DALI dimmer control

