

## SM02

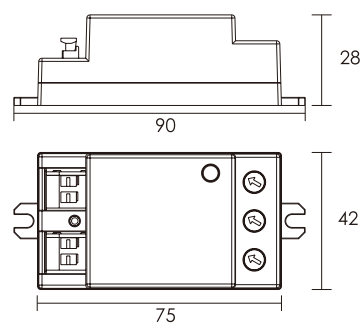
## HF Motion Detector

微波感应器

## Features:

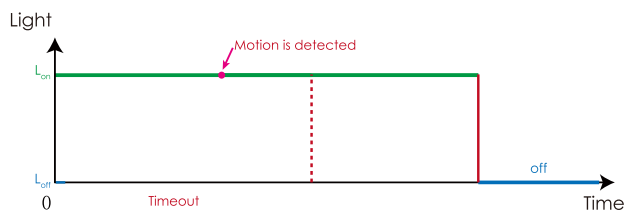
- Combine daylight & high frequency motion detection in one unit to achieve on/off control
- 360° detection angle
- Adjustments by means of potentiometer for timeout, detection range, and daylight threshold
- Can be installed invisibly inside the luminaires made of nonmetal materials, like plastic and glass
- Switches all lighting loads: incandescent, halogen, CFL, LED, fluorescent

- 集光敏和高频动作检测于一体的微波移动感应控制开关
- 360度探测范围
- 用户可通过电位器预设感应范围、保持时间和光敏感应
- 直接安装在灯具内部，可穿透非金属障碍物，塑料/玻璃材料
- 灯负载类型：白炽灯，卤素灯，节能灯，LED灯和荧光灯



## Parameters:

Rated supply voltage 输入额定电压	220-240V~
Frequency 额定频率	50/60Hz
Load wattage 负载功率	Max. 1200W
Standby power 待机功率	<0.5W
Microwave frequency 微波频率	5.8GHz
Transmission power 微波功率	<0.2mW
Detection area 感应范围	10m x6m(θxH)
Detection sensitivity 范围调节	10%~100%
Timeout 保持时间	5s~30min
Daylight threshold 光敏感应	5lux~2000 lux
Dimensions LxWxH 尺寸	90x40x28mm
Cut out 开孔尺寸	55mm
Electrical connection 电器连接	0.75mm <sup>2</sup> ~2.5mm <sup>2</sup>



Timeout would restart counting whenever motion is detected.

