

## SM03A

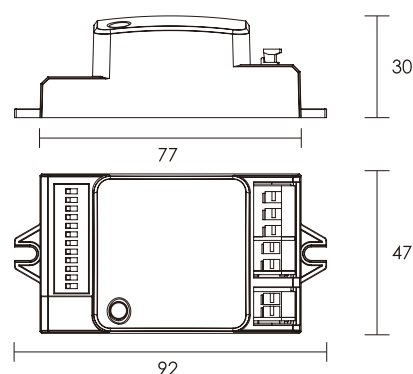
## HF Motion Detector

微波感应器

## Features:

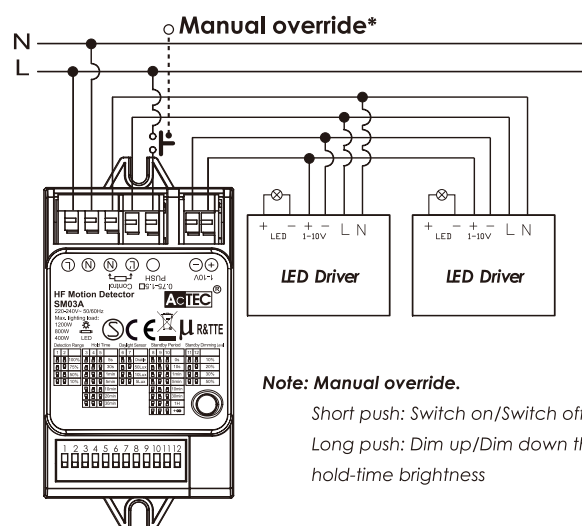
- 1-10V output control
- Combine Daylight & high frequency motion detection in one unit to achieve on/off control
- 360° detection angle
- Detection range, hold time, standby time and daylight threshold can be preset
- Can be installed invisibly inside the luminaires made of nonmetal materials, like plastic and glass
- Switches all lighting loads: incandescent, halogen, CFL, LED, fluorescent
- Manual override is available for dimming up/down level through long press and switch on/off through short press

- 1-10V 输出控制
- 集光敏和高频动作检测于一体的微波移动感应控制开关
- 360度探测范围
- 用户可预设感应范围、保持时间、延时间和光敏感应
- 直接安装在灯具内部，可穿透非金属障碍物，塑料和玻璃材料
- 灯负载类型：白炽灯，卤素灯，节能灯，LED灯和荧光灯
- 通过长按手动向上/下调光，短按手动开/关



## Parameters:

Rated supply voltage 输入额定电压	220-240V~
Frequency 额定频率	50/60Hz
Load wattage 负载功率	Max. 1200W
Standby power 待机功率	<0.5W
Microwave frequency 微波频率	5.8GHz
Transmission power 微波功率	<0.2mW
Detection area 感应范围	10m x6m(ØxH)
Detection sensitivity 范围调节	10%~100%
Hold time 保持时间	5s~30min
Standby time 延时间	0s~30min+∞
Standby dimming level 延时亮度	10%~50%
Daylight threshold 光敏感应	5lux~50 lux+Disable
Dimensions LxWxH 尺寸	92x47x30mm
Fixing centre 安装孔距	83mm
Electrical connection 电器连接	0.75mm <sup>2</sup> ~2.5mm <sup>2</sup>



**Note: Manual override.**

Short push: Switch on/Switch off  
Long push: Dim up/Dim down the hold-time brightness

