

SM05

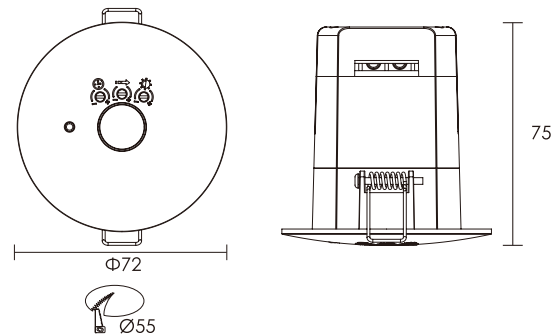
# HF Motion Detector

微波感应器

## Features:

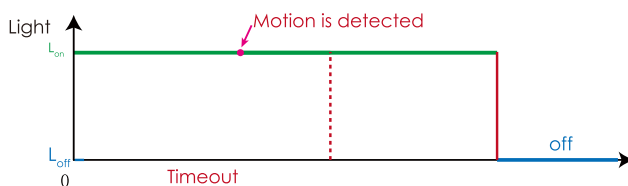
- Recessed installation
- Combine daylight & high frequency motion detection in one unit to achieve on/off control
- 360° detection angle
- Timeout, detection sensitivity and daylight threshold can be preset
- Suitable for incandescent, halogen, CFL, fluorescent and LED lighting loads

- 嵌入式安装
- 集光敏和高频动作检测于一体的微波移动感应控制开关
- 360度探测范围
- 用户可预设保持时间、感应范围和光敏感应
- 适用于不同灯类，如白炽灯、卤素灯、节能灯和LED灯



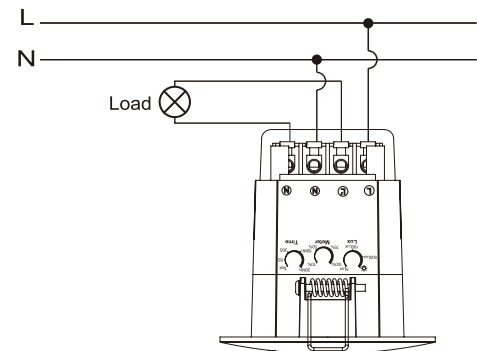
## Parameters:

Rated supply voltage 输入额定电压	220-240V~
Frequency 额定频率	50/60Hz
Load wattage 负载功率	Max. 1200W
Standby power 待机功率	<0.5W
Microwave frequency 微波频率	5.8GHz
Transmission power 微波功率	<0.2mW
Detection area 感应范围	10m x6m(ØxH)
Detection sensitivity 范围调节	10%~100%
Timeout 保持时间	5s~30min
Daylight threshold 光敏感应	5lux~2000 lux
Dimensions ØxH 尺寸	Ø72x75mm
Cut out 开孔尺寸	Ø55mm
IP rating IP等级	IP20
Electrical connection 电器连接	0.75mm <sup>2</sup> ~2.5mm <sup>2</sup>



Timeout would restart counting whenever motion is detected.

Wiring:



Detection Area:

