

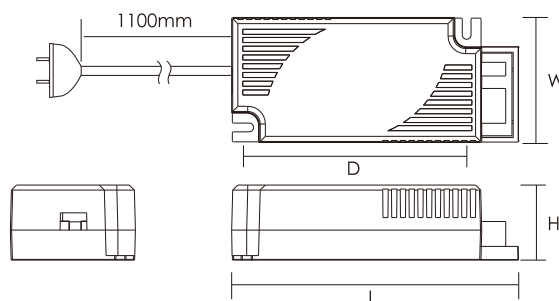
LED Emergency Light

LED应急灯

Features:

- Complete with recessed light, battery pack, control unit, flex and plug
- Intelligent automatic recharging function
- Constant current mode
- 3 hour emergency operation
- LED charge status display
- Over discharge protection
- Test button for self-test function
- SELV classified
- Easy installation

- 配置嵌入式灯、电池、控制器、插头和电源线
- 智能自动充电系统
- LED恒流工作
- 3小时应急照明
- LED充电状态指示
- 电池过放保护
- 测试按钮自检功能
- SELV安全特低电压等级
- 简易安装,适用更多的场所



Parameters:

| Technical Data 技术参数 | EMLED2W | EMLED3W |
|--------------------------------------|------------------|------------------|
| Rated supply voltage 输入额定电压 | 220-240V~ | 220-240V~ |
| Frequency 额定频率 | 50/60Hz | 50/60Hz |
| Input current 输入电流 | 30mA | 30mA |
| Input power 输入功率 | 2W | 2W |
| Charge current 充电电流 | 160mA | 160mA |
| Recharge hours 充电时间 | 16h | 24h |
| EM LED current LED 工作电流 | 600mA | 800mA |
| EM LED power LED 工作功率 | 2.0W | 3.0W |
| Ambient temperature t_a 环境温度 | -25...+50°C | -25...+50°C |
| Max. casing temperature t_c 最大外壳温度 | 70°C | 70°C |
| Battery type 电池 | Ni-Cd 4.8V 1.5Ah | Ni-Cd 4.8V 2.5Ah |
| Dimensions LxWxH 尺寸 | 115x50x30mm | 115x50x30mm |
| Fixing centre D 安装孔距 | 90mm | 90mm |

