

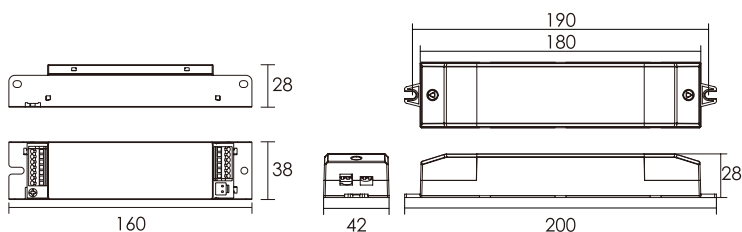
EMLED 10/160

LED Emergency Light Kit

LED应急灯控制模组

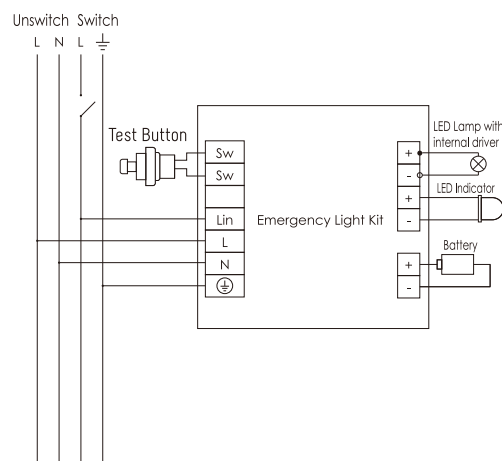
Features:

- Intelligent automatic recharging function
- Suitable for LED lamp with internal driver, e.g. LED bulb: 3-11W; LED tube: T5/T8 8-20W
- Emergency power keep working for 50%/100%
- Constant Voltage mode
- 3 hour emergency operation
- LED charge status display
- Over discharge protection
- Test button for self-test function
- Built-in or independent compact design
- 智能自动充电系统
- 适用具有内置驱动器的LED光源，如3-11W LED球泡灯，T5/T8 8-20W LED灯管
- 应急功率为正常工作功率的50%/100%
- LED恒压工作
- 3小时应急照明
- LED充电状态指示
- 电池过放保护
- 测试按钮自检功能
- 内装式或独立式紧凑型设计



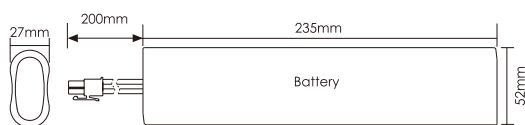
Parameters:

Technical Data 技术参数	EMLED10/160	EMLED10/160/I
Rated supply voltage 输入额定电压	220-240V~	220-240V~
Frequency 额定频率	50/60Hz	50/60Hz
Input current 输入电流	50mA	50mA
Input power 输入功率	6W	6W
Power factor 功率因数	0.50C	0.50C
Charge current 充电电流	200mA	200mA
Recharge hours 充电时间	16h	16h
EM output voltage 应急输出电压	DC160V	DC160V
EM power 应急工作功率	50%/100%	50%/100%
Ambient temperature ta 环境温度	-25...+50°C	-25...+50°C
Max. casing temperature tc 最大外壳温度	70°C	70°C
Battery type 电池	Ni-cd 12V 2.5Ah	Ni-cd 12V 2.5Ah
Dimensions LxWxH 尺寸	160x38x28mm	200x42x28mm
Fixing centre D 安装孔距	150mm	190mm



Option

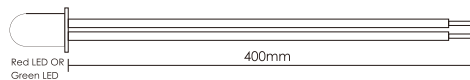
Battery type



Ni-Cd 12V 2500mAh

Status Indication LED

Mounting hole 6.5mm dia



Test Button

Mounting hole 7.0mm dia

