

RS Series

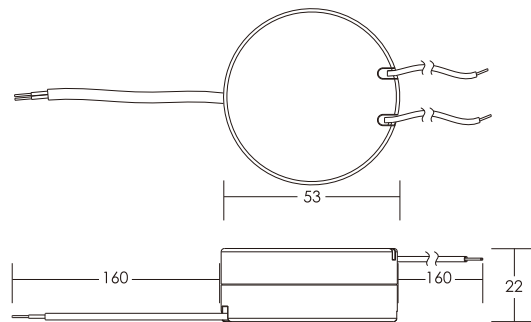
Constant Voltage LED Driver

LED恒压驱动器

Features:

- Primary and secondary sides come with leads
- Protections: opencircuit, shortcircuit, overload, overtemperature
- Simple installation
- SELV equivalent
- Protection class II

- 输入和输出端引线型
- 输出开路, 短路, 过载和超温保护
- 安装经济便捷
- 符合安全特低电压标准
- 保护等级 II



Parameters:

| Model No. 型号 | Input voltage 额定电压 (V) | Max. output 功率 (W) | Output voltage 输出电压 (V) | Output current 输出电流 (A) | Power factor 功率因数 (λ) | Efficiency full load 效率 (%) | No-load power 空载功率 (W) | Ambient temperature 环境温度 ta (°C) | Max. casing temperature 最大外壳温度 tc (°C) | Isolation 隔离 | Dimensions DxH 尺寸 (mm) | Weight 重量 (g) |
|-----------------|---------------------------|-----------------------|----------------------------|----------------------------|--------------------------|--------------------------------|---------------------------|-------------------------------------|---|-----------------|------------------------------|------------------|
| RS12V/8W | 100-240 | 8 | 12 | 0-0.67 | 0.90C | 80 | <0.3 | -20...+50 | 80 | SELV | Ø53x22 | 50 |
| RS24V/8W | 100-240 | 8 | 24 | 0-0.33 | 0.90C | 80 | <0.3 | -20...+50 | 80 | SELV | Ø53x22 | 50 |
| RS12V/9W | 100-240 | 9 | 12 | 0-0.75 | 0.50C | 80 | <0.3 | -20...+50 | 80 | SELV | Ø53x22 | 50 |
| RS24V/9W | 100-240 | 9 | 24 | 0-0.38 | 0.50C | 80 | <0.3 | -20...+50 | 80 | SELV | Ø53x22 | 50 |


CB CE