

Mini Series

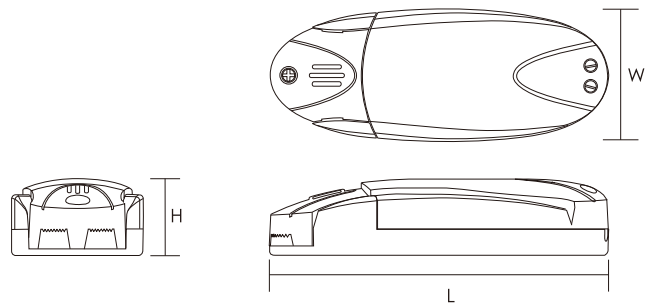
Electronic Transformer

电子变压器

Features:

- Electronic transformer for 12V halogen lamp as well as other type of low loading lamps which require supply of 12V ac LED lamp
- Captured terminal screws
- High efficiency(94%)
- Safe no-load operation
- Overload & short circuit protection with self resetting
- Dimmable with leading edge or trailing edge dimmer
- Thermally stable and shatter-proof plastic casings
- Long converter life=50,000 hours
- Simple installation

- 12V低电压卤素灯用电子变压器或其他低功耗12V ac LED灯
- 螺丝锁紧大接线端子, 方便多种规格线驳接
- 节能, 高效率94%
- 安全无负载保护装置
- 过载及短路异常保护, 自动重启
- 适用前切相和后切相调光器
- 耐热阻燃及高强度工程塑胶外壳材料
- 50000小时长寿命设计
- 安装经济简单



Parameters:

Type	Unit	MINI50
类型	单位	0-50W
Rated supply voltage 输入额定电压	V	220-240
Frequency 额定频率	Hz	50/60
Input current 输入电流	A	0.23
Secondary voltage 输出电压	V	11.5
Lamp wattage 灯功率	W	0-50W halogen lamp 0-50W LED lamp*(max 6 lamps)
Efficiency 效率	%	>94
Power factor 功率因数	λ	≥ 0.99
Input capacitance 输入电容	nF	100
Operating temperature ta 环境温度	$^{\circ}\text{C}$	50
Max. casing temperature tc 最大外壳温度	$^{\circ}\text{C}$	80
Dimming 适用调光器 For LED Lamp, Proper matching between dimmer, lamp, and driver is required		Leading and trailing edge dimmers
Primary terminal 输入接线端子		2-pole, screw terminal Dia. 3.5mm
Secondary terminal 输出接线端子		2-pole, screw terminal Dia. 3.2mm
Dimensions LxWxH 尺寸	mm	109x42x24
Weight 重量	g	70

*Before use always check the compatibility with the LED lamps of the application.
使用前, 请确认与LED lamps的适配性。