

WU Series

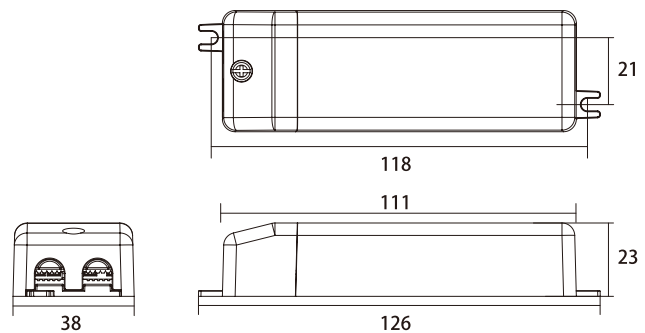
Electronic Transformer

电子变压器

Features:

- Electronic transformer for 12V halogen lamp as well as other type of low loading lamps which require supply of 12V ac LED lamp
- Captured terminal screws
- High efficiency(94%)
- Safe no-load operation
- Overload & short circuit protection with self resetting
- Dimmable with leading edge or trailing edge dimmer
- Thermally stable and shatter-proof plastic casings
- Long converter life=50,000 hours
- Simple installation

- 12V低电压卤素灯用电子变压器或其他低功耗12V ac LED灯
- 螺丝锁紧大接线端子, 方便多种规格线驳接
- 节能, 高效率94%
- 安全无负载保护装置
- 过载及短路异常保护, 自动重启
- 适用前切相和后切相调光器
- 耐热阻燃及高强度工程塑胶外壳材料
- 50000小时长寿命设计
- 安装经济简单



Parameters:

Type 类型	Unit 单位	WU60 10-60W
Rated supply voltage 输入额定电压	V	220-240
Frequency 额定频率	Hz	50/60
Input current 输入电流	A	0.26
Secondary voltage 输出电压	V	11.5
Lamp wattage 灯功率	W	20-60
Efficiency 效率	%	>95
Power factor 功率因数	λ	≥ 0.99
Input capacitance 输入电容	nF	68
Operating temperature ta 环境温度	°C	50
Max. casing temperature tc 最大外壳温度	°C	80
Dimming 适用调光器 For LED Lamp, Proper matching between dimmer, lamp, and driver is required		Leading and trailing edge dimmers
Dimensions LxWxH 尺寸	mm	126x38x23
Weight 重量	g	82