

E Series

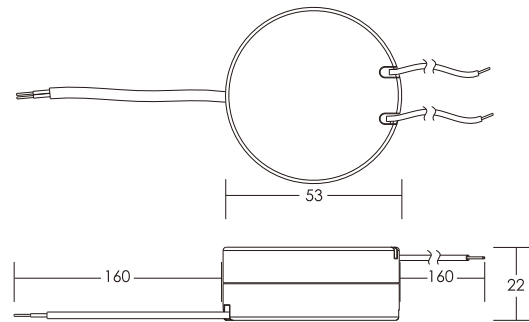
TRIAC Dimming LED Driver

可控硅调光LED驱动器

Features:

- Dimmable with leading edge or trailing edge dimmer
- Constant current driver
- Protections: opencircuit, shortcircuit, overload, overtemperature
- Simple installation
- SELV equivalent
- Protection class II
- Dimming range 10...100%

- 适用普通可控硅前切相或后切相调光器
- 恒流驱动
- 输出开路, 短路, 过载和超温保护
- 安装经济便捷
- 符合安全特低电压标准
- 保护等级 II
- 调光范围 10...100%光通量



Parameters:

Model No. 型号	Input voltage 额定电压 (V)	Max. output 功率 (W)	Output current 输出电流 (mA)	Output voltage 输出电压 (V)	Power factor 功率因数 (λ)	Efficiency full load 效率 (%)	Ambient temperature 环境温度 t _a (°C)	Max. casing temperature 最大外壳温度 t _c (°C)	Isolation 隔离	Dimensions DxH 尺寸 (mm)	Weight 重量 (g)
RSD35005E	220-240	5	350	8-14	0.95	68	-20...+50	85	SELV	Ø53x22	50
RSD18007E	220-240	7	180	32-40	0.95	76	-20...+50	85	SELV	Ø53x22	50
RSD35007E	220-240	7	350	14-20	0.95	74	-20...+50	85	SELV	Ø53x22	50
RSD50007E	220-240	7	500	8-14	0.95	72	-20...+50	85	SELV	Ø53x22	50
RSD50010E	220-240	10	500	14-21	0.95	80	-20...+50	85	SELV	Ø53x22	50