

IE Series

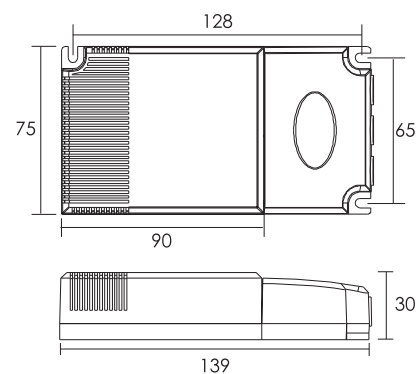
DALI Dimming LED Driver

DALI调光LED恒流驱动器

Features:

- Dimmable with DALI signal
- Independent compact design
- Push wire connections
- Low ripple of output current for a higher quality of light
- high power factor
- Open circuit, short circuit, over load protection
- Dimming range 1...100%
- Suitable for use in emergency lighting systems

- 适用DALI调光系统
- 超小尺寸, 独立式紧凑型设计
- 按压式接线端子
- 低电流纹波输出
- 高功率因数设计
- 输出开路, 短路, 过载和超温保护
- 调光范围1...100%光输出
- 适用紧急照明控制系统



Parameters:

Model No.	Dimming Mode	Input voltage	Max. output	Output current	Output voltage	Power factor	THD	Efficiency full load	Ambient temperature	Max. casing temperature	Isolation	Dimensions LxWxH	Weight
型号	调光方式	额定电压 (V)	功率 (W)	输出电流 (mA)	输出电压 (V)	功率因数 (λ)	总谐波 (%)	效率 (%)	环境温度 ta (°C)	最大外壳温度 tc (°C)	隔离	尺寸 (mm)	重量 (g)
IE-40-350/500/700D	DALI	220-240	28	350	10-70	0.95	<20	85	-20...+50	80	SELV	139x75x30	180
			40	500	10-70	0.95	86	80					
			40	700	10-60	0.95	87	80					
IE-40-1050/1400/1600D	DALI	220-240	40	1050	2-38	0.95	<15	87	-20...+50	80	SELV	139x75x30	180
			40	1400	2-29	0.95	85	80					
			40	1600	2-25	0.95	85	80					