

Mini Series

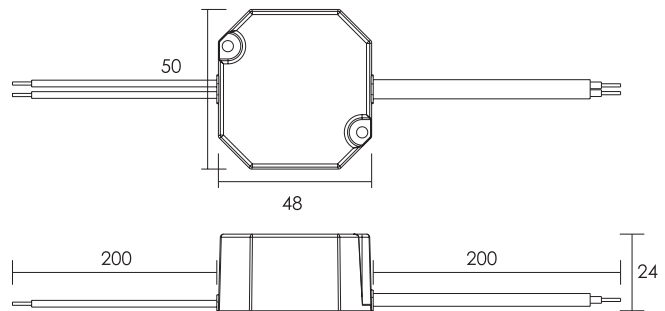
Constant Voltage LED Driver

LED恒压驱动器

Features:

- Super compact design
- Driver for built-in use
- Primary and secondary sides come with leads
- Protections: opencircuit, shortcircuit, overload, overtemperature
- Simple installation
- SELV class II output
- IP65 design

- 超小体积紧凑设计
- 内置式驱动
- 输入和输出端引线型
- 输出开路, 短路, 过载和超温保护
- 安装经济便捷
- SELV和II类等级
- 防护等级IP65



Parameters:

Model No. 型号	Input voltage 额定电压 (V)	Max. output 功率 (W)	Output voltage 输出电压 (V)	Output current 输出电流 (A)	Power factor 功率因数 (λ)	Efficiency full load 效率 (%)	No-load power 空载功率 (W)	Ambient temperature 环境温度 t _a (°C)	Max. casing temperature 最大外壳温度 t _c (°C)	Isolation 隔离	Dimensions 尺寸 (mm)	Weight 重量 (g)
MINI12V/12W	220-240	12	12	0-1.0	0.95	80	<0.5	-20...+50	80	SELV	50x48x24	92
MINI24V/12W	220-240	12	24	0-0.5	0.95	82	<0.5	-20...+50	80	SELV	50x48x24	92